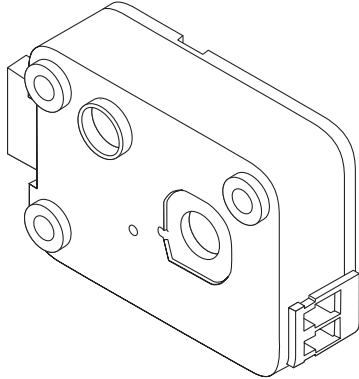




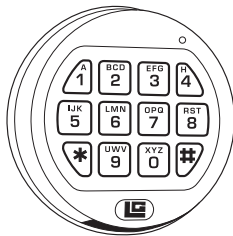
COMBOGARD

3040-DB Deadbolt Lock Instructions

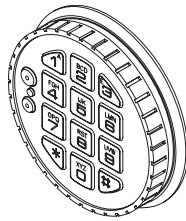
MANAGER PROGRAMMING



Suggested Keypads



3750 LGCOMBO Round Entry



3035 COMBOGARD Entry

STANDARD FEATURES

WRONG TRY PENALTY

- Four (4) consecutive invalid codes initiates five minute delay period.

LOW BATTERY WARNING

- Repeated audio and visual signal (LED flashing and repeated beeping) during opening indicates battery low.

AUDIO AND VISUAL SIGNAL

- Double signal (LED flashes and unit beeps) indicates entry is valid or accepted.
- Triple signal indicates invalid or not accepted.

PROGRAMMABLE FEATURES

ACTIVE

MANAGER CODE (Factory set to 1-2-3-4-5-6)

- Add/Remove Second User
- Enable/Disable Second User

USER CODE

- Open Lock
- Change Code

TIME DELAY OVERRIDE

- Ability to add second combination to override delay period

DUAL CODE

- Two combinations required to open

TIME DELAY

- Delay period 1 - 99 minutes
- Open period 1 - 19 minutes

SILENT SIGNAL ALARM (Optional Alarm Box Required)

- Duress signal if last number of code(s) is entered using one number higher or one number lower.

DISABLE LOCK (Optional Alarm Box Required)

- Input signal disables opening of lock by valid code

OPENING THE LOCK

- ① Enter valid six (6) digit code.
- ② The lock will indicate a valid code entry with a double signal.
- ③ Within four (4) seconds, turn keypad (clockwise) to the open position.
- ④ Pull door open.

- **Invalid Code Entry** - Lock will signal three (3) times.

- **Security Considerations** - On safes using more than one lock the swingbolt lock must lock first.

CHANGING YOUR CODE

ALWAYS PERFORM THIS OPERATION WITH THE DOOR OPEN
If your unit is programmed for Dual Code, each code must be changed independently. Follow these instructions for each code change.

- ① Enter "zero" six times.
- ② Enter your existing six (6) digit code one time.
- ③ Enter your NEW six (6) digit code two times.
- ④ If a mistake is made wait thirty (30) seconds and repeat steps ① - ③.
- ⑤ Test lock operation several times before closing the door.

- **Valid Code Entry** - Double signal after valid six (6) digit code is entered.

- **Invalid Code Entry** - Triple signal and old code is still valid.

ADD USER (If Manager, Time Delay Override, Remote Override, or Dual Combination feature activated.)

ALWAYS PERFORM THIS OPERATION WITH THE DOOR OPEN

- ① Enter Manager code and HOLD DOWN LAST DIGIT of CODE until the lock signals with two sets of double beeps.
- ② PRESS 1. Lock signals twice. Lock will only signal twice if the user code is not already in use. It will beep once if a user is already installed and three (3) times if the function has not been programmed in the lock.
- ③ Enter user code twice. The lock signals twice after each valid entry.
- ④ If a mistake is made wait thirty (30) seconds and repeat steps ① - ③.

- **Valid Code Entry** - Double signal after valid six (6) digit code is entered.

- **Invalid Code Entry** - Triple signal and old code is still valid.

DISABLE USER (Manager feature only.)

ALWAYS PERFORM THIS OPERATION WITH THE DOOR OPEN

- ① Enter Manager code and HOLD DOWN LAST DIGIT of CODE until the lock signals with two sets of double beeps.
- ② PRESS 2. Lock signals once.
- ③ User is temporarily disabled.
- ④ If a mistake is made wait thirty (30) seconds and repeat steps ① - ③.

- **Valid Code Entry** - Double signal after valid six (6) digit code is entered.

- **Invalid Code Entry** - Triple signal and old code is still valid.

REINSTATE USER *(Manager feature only.)*

ALWAYS PERFORM THIS OPERATION WITH THE DOOR OPEN

- ① Enter Manager code and HOLD DOWN LAST DIGIT of CODE until the lock signals with two sets of double beeps.
 - ② PRESS 1. Lock signals once.
 - ③ User is reinstated.
 - ④ If a mistake is made wait thirty (30) seconds and repeat steps ① - ③.
- **Valid Code Entry** - Double signal after valid six (6) digit code is entered.
 - **Invalid Code Entry** - Triple signal and old code is still valid.

REMOVE USER *(Manager feature only.)*

ALWAYS PERFORM THIS OPERATION WITH THE DOOR OPEN

- ① Enter Manager code and HOLD DOWN LAST DIGIT of CODE until the lock signals with two sets of double beeps.
 - ② PRESS 3. Lock signals once.
 - ③ User is permanently removed.
 - ④ If a mistake is made wait thirty (30) seconds and repeat steps ① - ③.
- **Valid Code Entry** - Double signal after valid six (6) digit code is entered.
 - **Invalid Code Entry** - Triple signal and old code is still valid.

DUAL CODE OPERATION *(If feature is active. Must be programmed using 3045 Hand-Held Programmer)*

- ① Must add second user to open lock. (See **ADD USER**)
 - Second User cannot be disabled or removed.
- ② If Time Delay is active, one valid code will start Delay period.
 - Both codes required to open lock in Open period.

TIME DELAY *(If feature is active. Must be programmed using 3045 Hand-Held Programmer.)*

- ① Enter valid code.
 - Delay period starts.
 - LED flashes RED at one (1) second intervals.
 - If valid code entered during delay, Delay period restarts.
 - If invalid codes entered during delay, Delay period aborts.
- ② At end of delay period, Open period starts.
 - LED flashes RED at 1/2 second intervals.
 - Lock beeps at ten (10) second intervals.
- ③ During open period, enter valid code(s).
 - If invalid code entered during open, Open period continues.
 - If four (4) consecutive invalid codes entered Wrong Try Penalty starts.

TIME DELAY OVERRIDE *(If feature is active. Must be programmed using 3045 Hand-Held Programmer)*

- Must add second code. (See **ADD USER**)
 - Second User cannot be disabled or removed.
- Entry of Override code during Delay period will open the lock.

SILENT SIGNAL ALARM *(If feature is active AND optional Alarm Box is connected to an alarm system.)*

- Enter last digit of code one number higher or one number lower.
 - Example: Code: 1-2-3-4-5-6
 - Duress: 1-2-3-4-5-5 or 1-2-3-4-5-7
- The lock will open without any indication that the duress signal has been sent.

WRONG TRY PENALTY

- Entry of four (4) consecutive invalid codes starts a 5-minute delay period.
 - LED flashes red at ten (10) second intervals.
 - At the end of the delay period, two more consecutive invalid codes will restart an additional 5-minute delay period.
- Entry will not respond to a single keystroke during delay period.**

BATTERY LOW WARNING

- Repeated beeping during an opening indicates that the battery is low and needs immediate replacement. LA GARD recommends the replacement of batteries at least once annually.
- Uses one (1) 9-Volt Alkaline Battery. LA GARD recommends the use of Duracell™ or Eveready™ Alkaline batteries. LA GARD recommends the replacement of batteries at least once annually.

If battery is depleted and will not allow lock to open, simply follow instructions below. Lock contains a non-volatile memory, even with batteries removed the lock will retain all programming.