



INSTALLATION INSTRUCTIONS

The Quality System of LA GARD Inc. is ISO 9002 certified. The product has passed all applied tests. In order to maintain this high quality standard and to ensure a problem free application, please read this guide thoroughly before you start mounting the lock.

Mounting errors can lead to malfunctions!

Consequently we advise as following:

- ① As soon as an electronic lock has been mounted, no more welding can be done on the safe.
- ② Keep metal dust, filings, etc. away from the lock!
- ③ Never remove lock cover.
- ④ Never oil, grease, lubricate or paint the lock.
- ⑤ Keep cables away from sharp edges and moving parts.
- ⑥ Never carry Keypads or Locks by holding on to the cable.
- ⑦ Use ALKALINE batteries only. (LA GARD recommends Eveready™ or Duracell™)

Figure 1

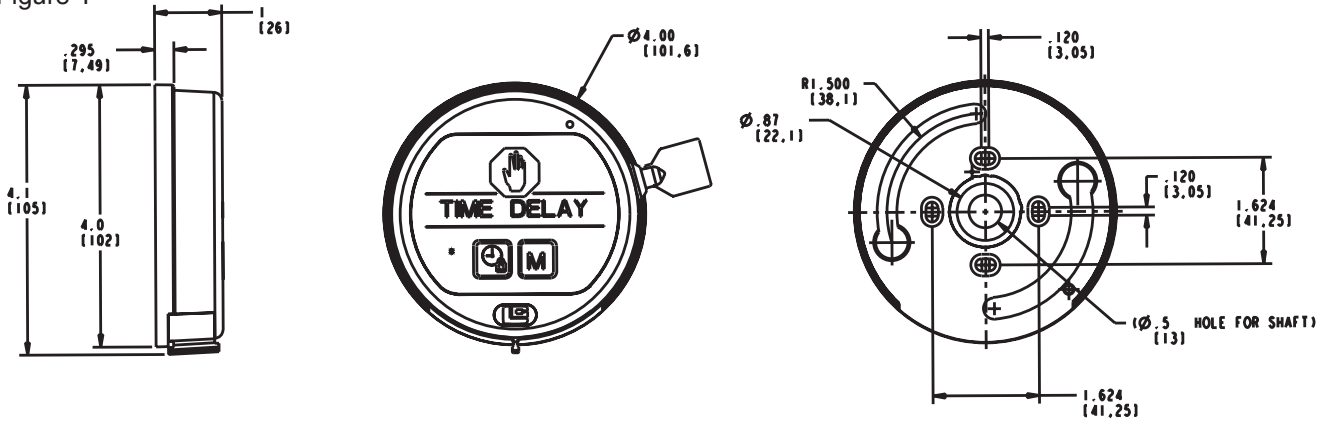


Figure 2

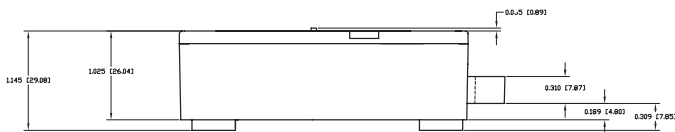
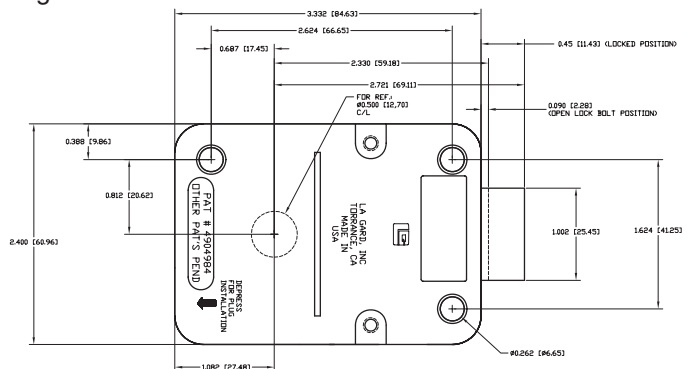


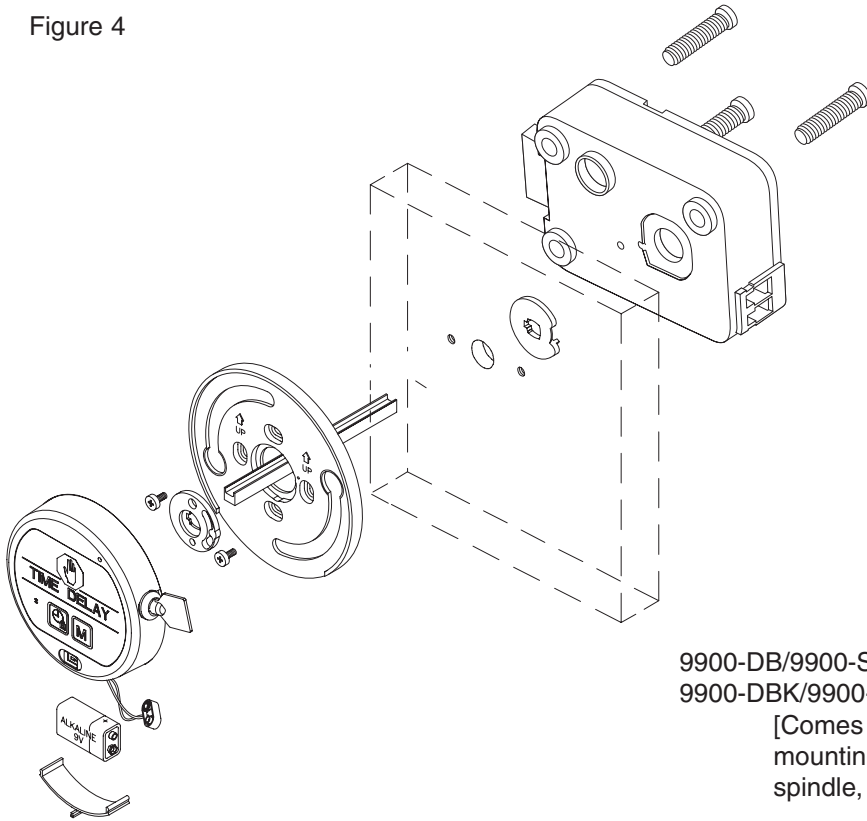
Figure 3



Preparation of the safe:

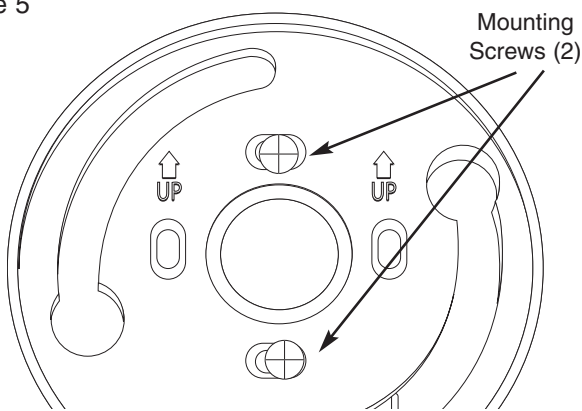
The drilling holes necessary to mount the lock and entry device correspond with the standard dimensions for mechanical locks. The spindle hole must be well deburred and no sharp edges may remain.

Figure 4



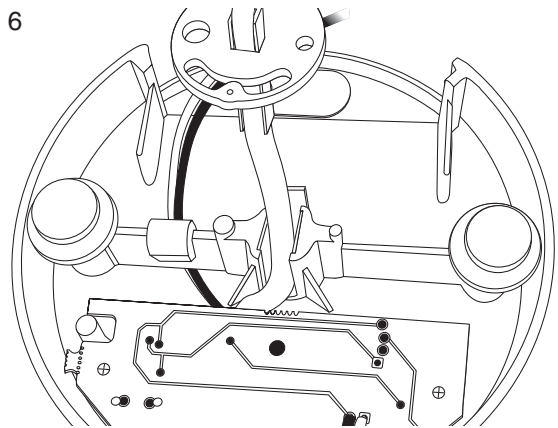
9900-DB/9900-SB Knob Lock/Springbolt
9900-DBK/9900-SBK Knob Lock/Springbolt Lock with Key
[Comes with hardware pak that includes mounting screws for lock and input pad, spindle, bearing plates]

Figure 5



Drill mounting holes for US 8-32 or M4 screws and a cable hole. See Figure 1. Using the two (2) 8-32 mounting screws mount the dial plate (P/N 3752) in the tapped holes on the door. The dial plate must be centered over the spindle hole. The dial plate should be mounted with the arrows in the up position. Tapped holes on the door should be at 12:00 and 6:00 locations. See Figure 5.

Figure 6



Cut the square spindle to length (1.06 [26.9240mm] + door thickness). Thoroughly deburr. Insert into the center of the keypad assembly making sure that the cable is routed in the groove of the spindle. See Figure 6.

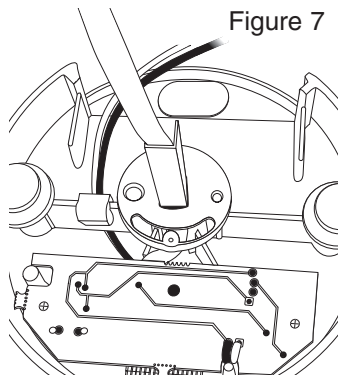


Figure 7

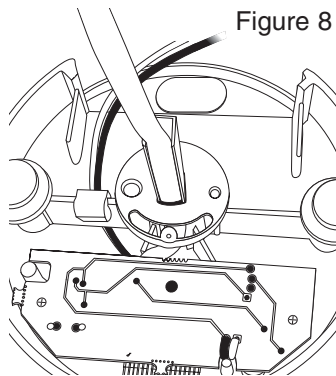


Figure 8

The cable must be routed either under the spindle or between the circuit board and the spindle. Figure 8 shows an example of Right-Handed or Vertical-Up positioning. Figure 9 shows an example Left-Handed or Vertical-Down positioning. It is important to make sure the cable will not rub on the dial plate after assembly. Install the cable protector on the entry over the spindle and cable and install over the large and small pins on the housing.

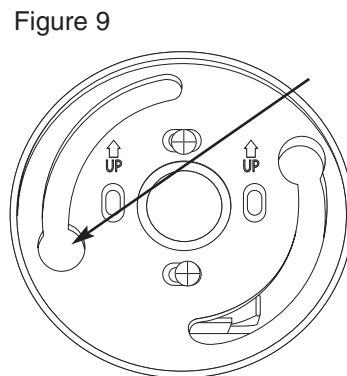


Figure 9

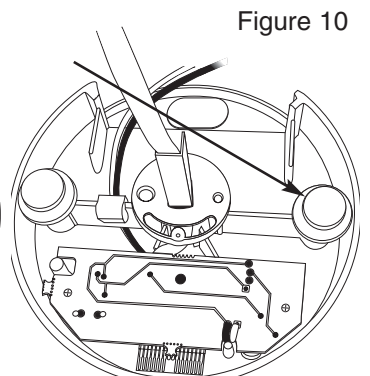


Figure 10

Feed the cable and the spindle through the spindle hole on the door. Place the shoulder bushings in the holes of the dial plate and rotate the keypad so that the keypad is aligned correctly. See Figures 9 and 10.

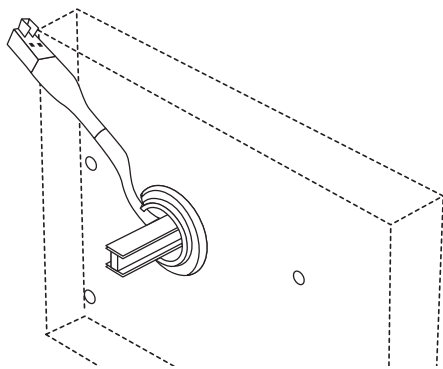


Figure 11

Install the cable clamp over the cable and the spindle on the inside of the door **with the flat side facing the door**. Slide down to the spindle hole to protect the cable from rubbing on the edge of the hole. Gently pull on the cable to assure that there is no excess cable in the spindle hole that would rub on the metal door. Route the cable on the notch of the cable clamp as shown. See Figure 11.

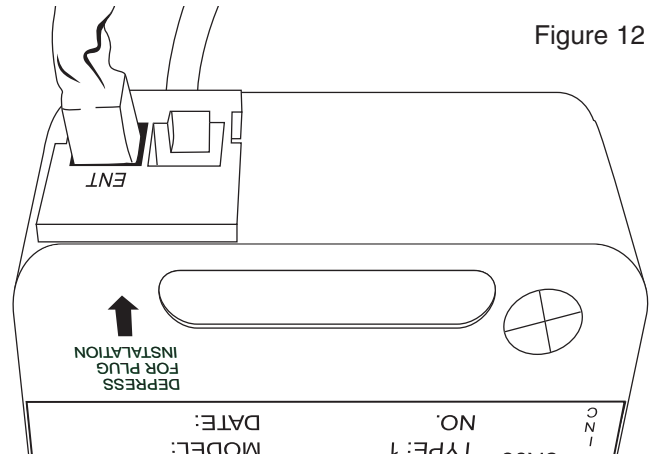


Figure 12

Press the locks snap connector toward the bottom of the lock. Carefully insert the entry cable plug into the lock at the "ENT" position. See Figure 12.

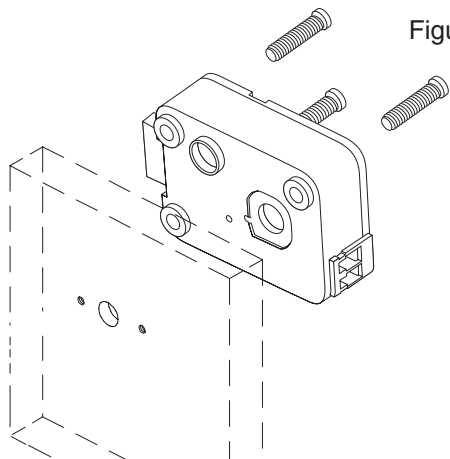
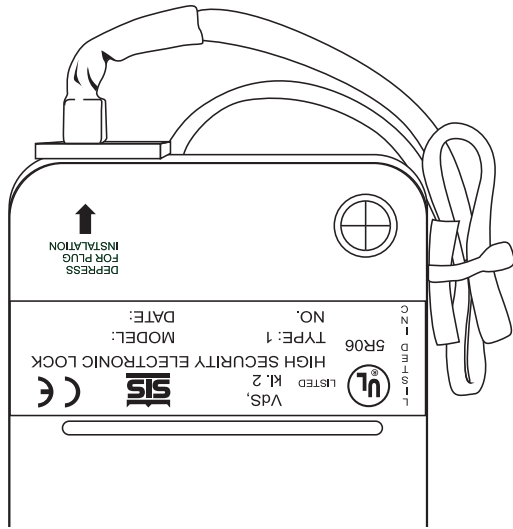


Figure 13

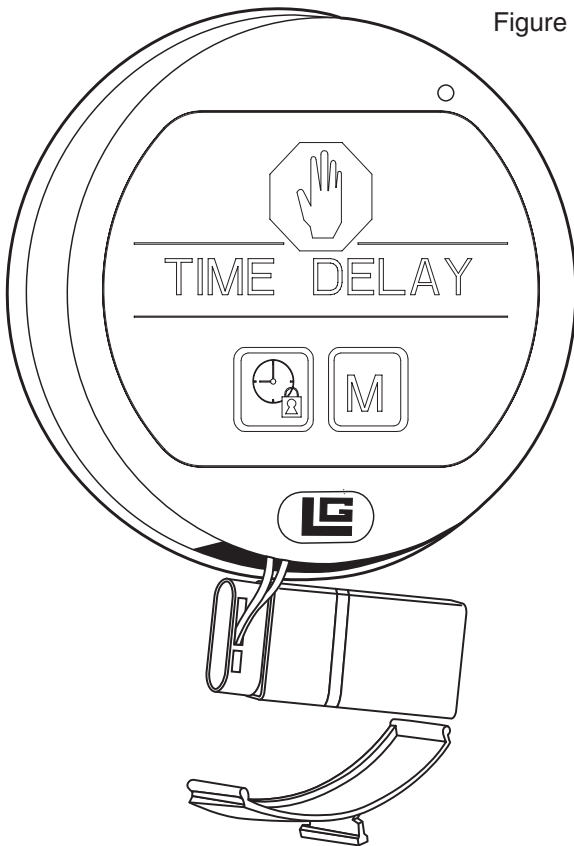
Using the three (3) mounting screws provided by the factory, screw down the lock to the mounting plate or door. Make sure you do not pinch the wires. See Figure 13. LA GARD's recommended torque for mounting screws on the Deadbolt lock is 60 inches/pound for the 1/4-20 screws.

Figure 14



Secure entry cable with tywrap, making sure that any extra cable is in a safe position and cannot be damaged by any moving parts or sharp edges. Leave a small loop in the cable to allow for movement when the keypad is rotated. See Figure 14.

Figure 15



CHANGING YOUR BATTERY

- ① Remove black plastic battery compartment cover (located at the bottom of the keypad) by gently pulling downward on its handle.
- ② Allow the battery and its attached leads to drop down and out of the battery compartment. If it does not drop, gently pull on the battery until it drops out.
- ③ The connector is easily removed by unsnapping it from the two terminals on the top of the battery.

Never Pull on the Battery Leads

- ④ Connect a new 9-Volt Alkaline battery to the battery clip.
- ⑤ Gently push the battery and the leads completely up into the battery compartment.
- ⑥ Install the battery cover by placing one side of the cover in position first and then gently pressing the other side into place.