

# SAFEGARD

ELECTRONIC ENTRY DEVICE



 **LAGARD**<sup>®</sup>  
One Company... Endless Solutions

# SAFEGARD®

## SPECIFICATIONS

### 3000 ROUND ENTRY

#### FEATURES

- Available in Satin Chrome and Brass
- Outside Battery Compartment (*Located Behind Keypad*)
- Two User-Supplied 9V Alkaline Battery

### 4200 Dual-Handed Swingbolt (*LGBASIC*)

#### STANDARD FEATURES

- Manager Mode
  - Manager and One User Combination
- Wrong Try Penalty
- UL Listed, Type 1
- Made in the USA

### 4100 Dual-Handed Swingbolt (*SAFEGARD*)

#### STANDARD FEATURES

- Signal to Disable Lock
  - Optional Alarm Box Required (*Sold Separately*)
- U.L. Listed, Type 1
- Made in the USA

### 3260 PROGRAMMABLE FEATURES

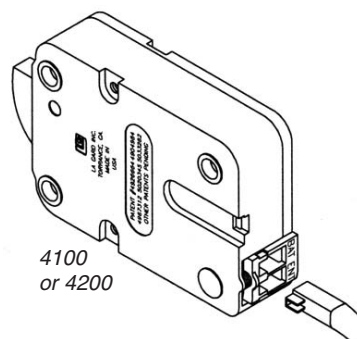
(*With Optional Hand-Held Programmer*)

- Manager Mode
- Second User
- Time Delay
  - Delay Period: 1 – 99 minutes
  - Open Period: 1 – 19 minutes

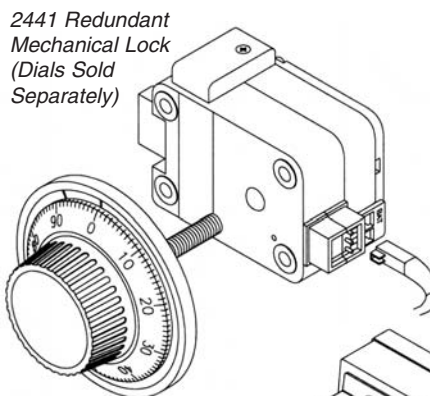
*LA GARD recommends the use of a Large Battery Box if Time Delay is operational on your unit*
- Time Delay Override
- Dual Control
- Silent Signal Alarm
  - Optional Alarm Box Required (*Sold Separately*)
- Remote Override Signal
  - Optional Alarm Box Required (*Sold Separately*)



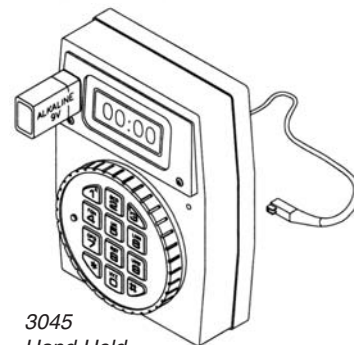
3000



4100  
or 4200



2441 Redundant  
Mechanical Lock  
(Dials Sold  
Separately)



3045  
Hand Held  
Programmer (Optional)

**310-325-5670**

Offices Located Worldwide



LA GARD, INC. 3330 Kashiwa Street, Torrance, CA 90505  
Ph: 310-325-5670 Fax: 310-325-5615 Fax On Demand: 877-LAGARD2  
Email: theone@lagard.com www.lagard.com