

SMARTGARD

SERIAL ACCESS CONTROL

 LISTED



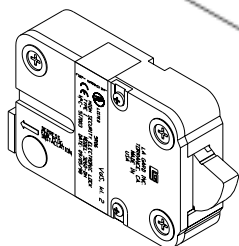
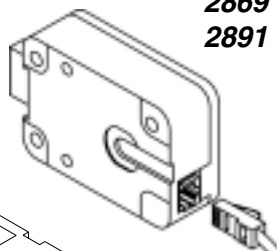
®

 **LAGARD**®

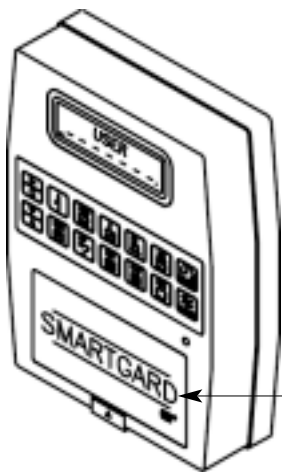
SMARTGARD

SERIAL ACCESS CONTROL

2869 Motor Lock (Deadbolt)
2891 Motor Lock (Springbolt)



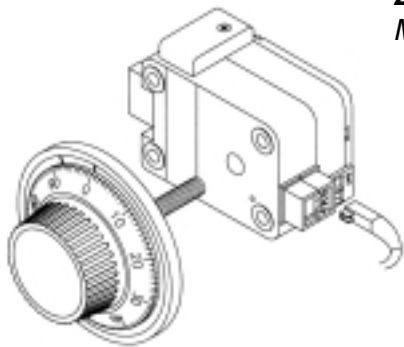
3270 Dual Handed Swingbolt Lock



External Battery Compartment

49001-III SmartGard Logic Module

2440 Redundant
Mechanical Lock

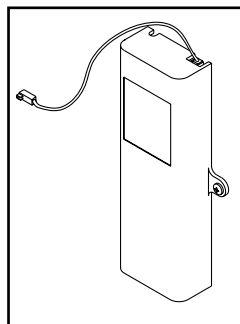


Dials Sold Separately

4003 Large Battery Box

4002 Large Battery/Alarm Box

(Sold Separately)



STANDARD FEATURES

- Wrong Try Penalty
- Signal to Disable Lock
 - Optional Battery/Alarm Box Required (Sold Separately)
- System Status and Audit Trail shown on LCD, Optional Printer or PC
- External Battery Compartment
- Secondary Battery Box contains Six User-Supplied C-Cell Alkaline Batteries (Sold Separately)
- U.L. Listed
- Made in USA

PROGRAMMABLE FEATURES

- Manager Mode
- Multiple Users
- Dual Control
- Time Delay
 - Delay Period: 1-99 minutes
 - Open Period: 1-99 minutes
- Time Delay Override
- Silent Signal Alarm
 - Optional Battery/Alarm Box Required (Sold Separately)
- Time Lock: Set One Standard Lock Period per day
 - Special Events - Holidays
 - One Programmable Lock Time - Applies to each day of Standard Week
 - Immediate Lock
- Languages: LCD Display in English, Spanish, French, German, Italian, Portugese or Dutch

310-325-5670

Offices Located Worldwide



LA GARD, INC. 3330 Kashiwa Street, Torrance, CA 90505
Ph: 310-325-5670 Fax: 310-325-5615 Fax On Demand: 877-LAGARD2
Email: theone@lagard.com www.lagard.com

 **LAGARD**[®]

One Company... Endless Solutions

A MASCO Company NYSE MAS