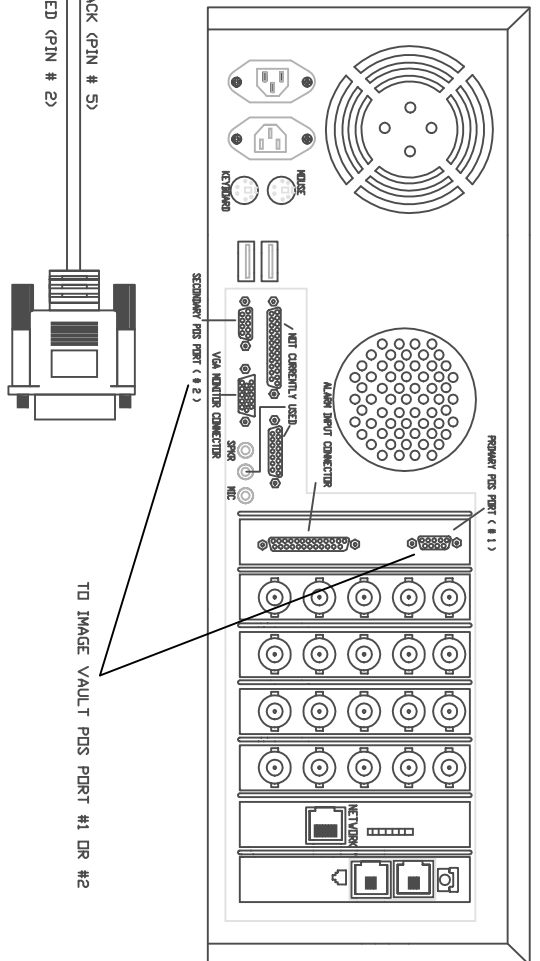
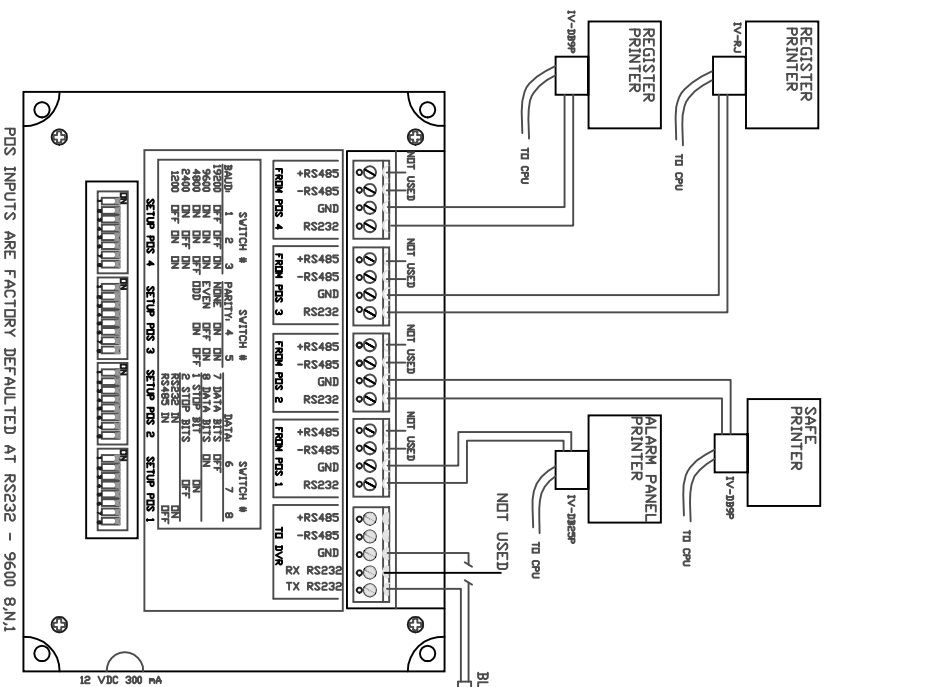


DIGITAL VIDEO RECORDER



- ***NOTES***
- THE IV-Q4 IS A POWERED DEVICE THAT INCREASES THE IMAGE VAULT DVR TRANSACTION DATA INPUTS BY 4.
 - WITH THE ADDITION OF DF 1 IV-Q4 MODULE, THE DVR IS CAPABLE OF 5 TRANSACTION DATA INPUTS.
 - WITH 2 IV-Q4 MODULES THE DVR IS CAPABLE OF A TOTAL 8 TRANSACTION DATA INPUTS
 - THE IV-Q4 BOARD CAN BE LOCATED UP TO 100' AWAY FROM THE IMAGE VAULT USING CAT 5 RATED CABLE.
 - EACH PDS INPUT CAN BE CONFIGURED SEPARATELY BY USING THE DIP SWITCHES.
 - THE CONFIGURATION INCLUDES BAUD RATE, PARITY, DATA BITS, AND STOP BITS.
 - THE IV-Q4 MUST BE ENABLED IN THE 'EDIT DATA STREAM SETUP' WINDOW AND THE DVR MUST BE REBOOTED AFTER THE CHANGE IS MADE (REFER TO THE INSTALLATION MANUAL FOR DETAILS ON HOW TO DO THIS)

| | | | |
|------------------|--|---|--|
| 10/2001 | | © COPYRIGHT 2001 | |
| IV-Q4 | | DESCRIPTION: | |
| | | IV-Q4 QUAD SERIAL INTERFACE IVTECH@FIREKING.COM | |
| REVISION | | | |
| 1. | | | |
| 2. | | | |
| 3. | | | |
| 4. | | | |
| SCALE: NTS | | | |
| ARCHITECT: JOHN | | | |
| DESIGNER: JCA | | | |
| CHECKED BY: JCA | | | |
| DATE: 07/14/2001 | | | |

IMAGE
VAULT

TECHNICAL SERVICES

101 SECURITY PKWY.
NEW ALBANY, IN 47150
(888) 462-4382